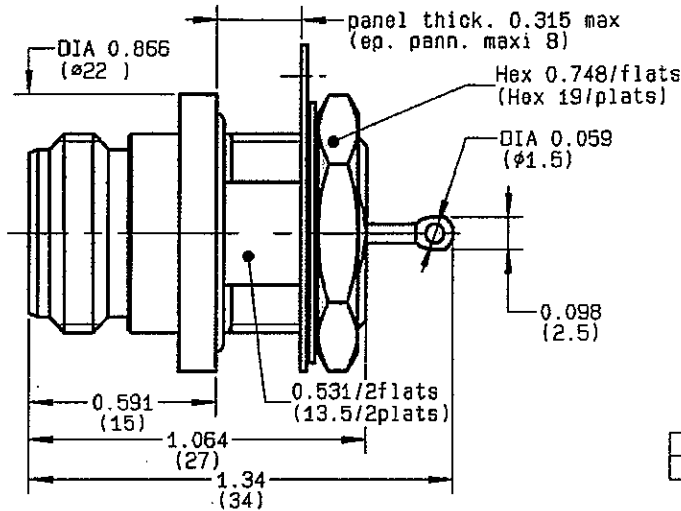


**HERMETICAL BULKHEAD RECEPTACLE
PANEL SEAL FRONT MOUNTING**

R161.625.000
SERIES **N**



PERCEGE PANNEAU
MOUNTING HOLE

| | MM | | INCH | |
|---|------|------|-------|-------|
| | maxi | mini | maxi | mini |
| A | 16.1 | 16 | 0.634 | 0.63 |
| B | 13.7 | 13.6 | 0.539 | 0.535 |

| | |
|---------------------------------|------------------------------------|
| NOMINAL IMPEDANCE | 50 Ω |
| FREQUENCY RANGE | 0-11 GHz |
| TEMPERATURE RATING | -55/+155 °C |
| V.S.W.R | 1.30 + x F(GHz)Maxi |
| RF INSERTION LOSS | .048 √F(GHz) dB Maxi |
| VOLTAGE RATING | 500 Veff Maxi |
| DIELECTRIC WITHSTANDING VOLTAGE | 1500 Veff Mini |
| INSULATION RESISTANCE | 5000 MΩMini |
| HERMETIC SEAL | 10-6 Atm.cm ³ /s |
| LEAKAGE (pressurized only) | IP 67 |
| MECHANICAL DURABILITY | 500 Cycles |
| WEIGHT | 36.1 gr |
| SPECIFICATION | |

CABLES :

OTHERS CHARACTERISTICS

| | | |
|----------------------------|------------|-----------|
| CABLE RETENTION | NA | N Mini |
| CENTER CONTACT RETENTION | | |
| Axial force - mating end | 27 | N Mini |
| Axial force - opposite end | 27 | N Mini |
| Torque | NA | cm.N Mini |
| RECOMMENDED TORQUES | | |
| Mating | NA | cm.N |
| Panel nut | 500 | cm.N |
| Clamp nut | NA | cm.N |

| CONNECTOR PARTS: | MATERIALS | FINISH | (all values are given in micrometers) |
|------------------|------------------|------------------------|---------------------------------------|
| BODY | BRASS | BBR 2 | |
| OUTER CONTACT | BRASS | BBR 2 | |
| CENTER CONTACT | BERYLLIUM COPPER | GOLD 0.5 OVER NICKEL 2 | |
| INSULATOR | PTFE | - | |
| GASKET | SILICONE RUBBER | - | |
| OTHERS PIECES | BRASS | BBR 2 | |

BONCASA.MI

ISSUE
0504 D00

CREATION DATE
19-APR-93

FILE PART-NUMBER
EPC 96-07



RADIALL®

The information given here is subject to change without notice.
Design changes may be in order to improve the product.

Connect to the future